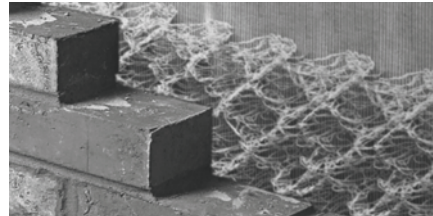


# Mortar Deflection Devices

## Mortar Break®

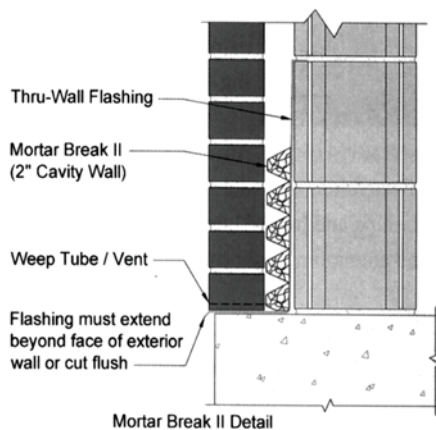


- Breaks up and deflects mortar droppings away from weep holes.
- Allows moisture in the cavity to flow down through the geomatrix design and out through mortar maze weep vents.
- Easy and economical to install; up to 50% labor savings over conventional methods.
- Unlike other more expensive designer shaped mortar deflection devices, mortar droppings cannot bridge the cavity.



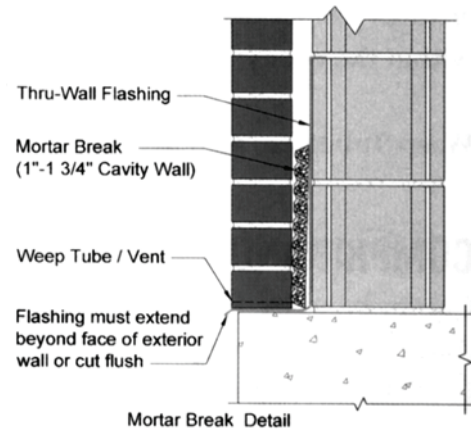
Mortar Break and Mortar Break II are of a polymer core geomatrix design, composed of high-density polyethylene strands woven into a mesh. They are resistant to acid and alkali present in fresh mortar mix and are non-absorbent.

### Mortar Break II®



Mortar Break II is 1.5" thick and designed for use in 2" cavities.  
**Size:** 10" x 35 ft. rolls.

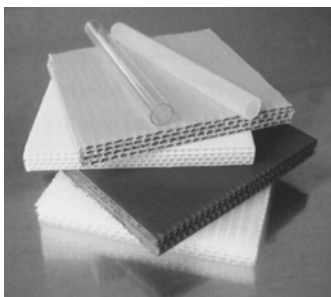
### Mortar Break®



Mortar Break is .8" thick and designed for use in 1" cavities.  
**Size:** 10" x 50 ft. rolls.

Division 4

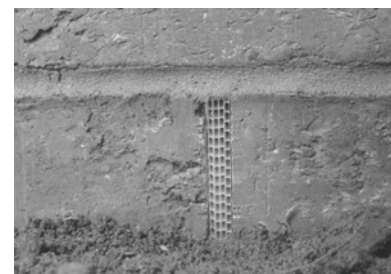
## Mortar Maze Cell Vents



Mortar Maze Cell Vents ensure positive drainage in all cavity wall construction. Made from durable polypropylene, Mortar Maze weep vents are available in a range of colors to match the surrounding mortar.

**Size:** 3/8" x 2-1/2" x 3-3/8" or 3/8" x 3-1/2" x 3-1/2".

**Colors:** gray, clear, tan or brown.



# Mortar Deflection Devices

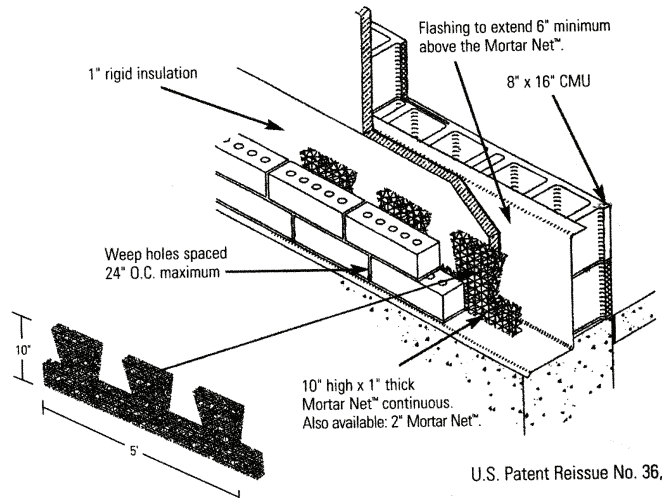


**Mortar Net**

The Difference Is In *The Cut*.

## Features and Benefits

- Suspends mortar above flashings and weeps.
- Prevents mortar damming for proper water flow and air circulation.
- Lightweight for inexpensive transporting; eliminates fasteners and adhesives.
- Unique patented design and mesh material permit air and water to move through.
- Compressible to allow for cavity wall size variations.
- Durable, non-reactive material lasts the life of the building.



U.S. Patent Reissue No. 36,676

Mortar Net is the leading mortar dropping collection product providing the solution for clogged weep holes in brick cavity construction. Featuring a patented design and 90% open-mesh weave, Mortar Net catches and suspends mortar droppings and other debris above the weep holes. Mortar Net prevents the mortar from forming a barrier against necessary flow, allowing for the free migration of moisture from the wall to the weep holes.

**Mortar Net .4" and 1"** material is made of high-density polyethylene.

**Mortar Net 2"** is made of 100% recycled polyester. This material will not oxidize, rot, promote mold or fungus, or react with common building materials such as mortar, cement, asphalt, modified bitumen, PVC, copper or galvanized metal, thereby ensuring long-term performance for all materials.

Mortar Net™ Sizes

Width	Height	Length	Pkg. Qty.
.4"	10"	5 ft.	250
1"	10"	5 ft.	100
2"	10"	5 ft.	100

## Mortar Net™ Weep Vents

Mortar Net Weep Vents are the easy way to ensure brick cavity and single wythe block construction masonry walls maintain their finished appearance and drain correctly for life.

For years, weep holes have been blocked by insects or debris, resulting in efflorescence and other damage caused by water or improper air movement. To ensure walls always breathe, drain, and dry quickly, and to keep out insects, specify Mortar Net Weep Vents for all your buildings.

Just 2.5" x 3.5" x .5", Weep Vents could not be easier or quicker to install. Made from 100% recycled polyester with a 90% open mesh and bonded with a flame-retardant adhesive to provide resilience and strength, they're available in a choice of attractive colors to match the mortar being used – white, brown, tan, gray, almond or red. Their installation adds to the beauty of the wall by duplicating the texture and color of mortar, thus eliminating open holes and dark shadows. Special sizes are available on request.

